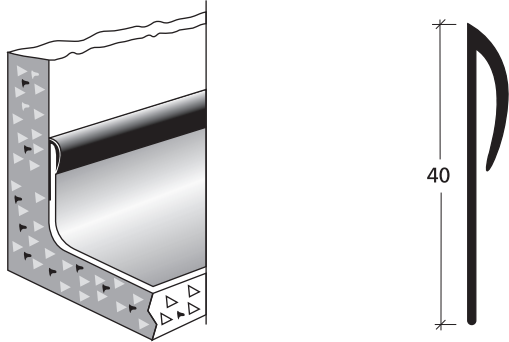


# Wall Capping Trims

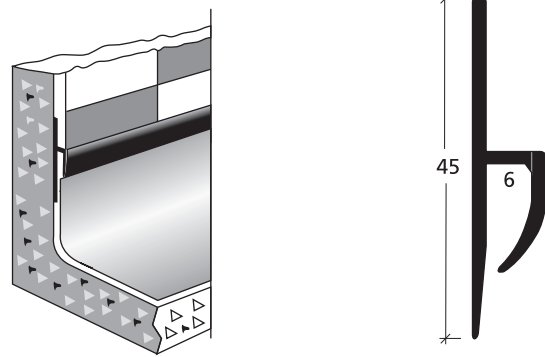
## Cap Seal

HCS48 is designed as an efficient seal and finish for vinyl and rubber floor coverings when coved into vertical surfaces.



## Cap Tile

TC48 is designed as an efficient and neat finish for vinyl and rubber floor coverings where ceramic tiles are installed.



Cap Seal installed in conjunction with "Futura" rubber flooring from Spectrum Floors



Cap Tile installed in conjunction with "Assurance" safety vinyl from Spectrum Floors

### INSTALLATION

These extrusions are fitted vertically and should never be used as a wearing edge. Cap Tile can be installed with mechanical fixings and sealant. Cap Seal should be installed using suitable contact adhesive.