

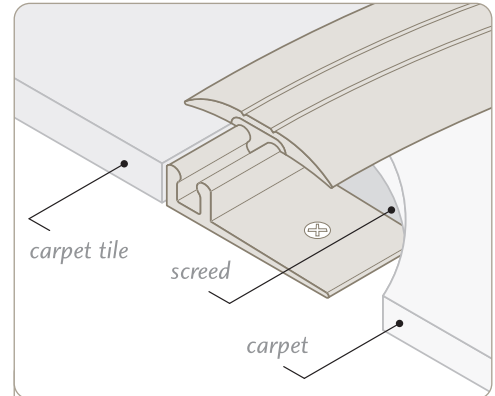
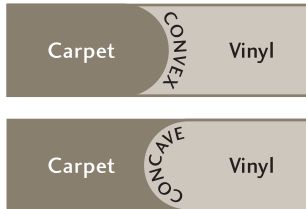
# Flexible Transitions

## Clip-Top *fx* creating curves on site creating curves on site

**Clip-Top *fx* is a simple solution for creating a safe transition between different flooring materials.**

- Clip-Top *fx* is a two-piece transition strip allowing design flexibility in most commercial applications
- Suitable for use in a wide range of environments including retail, schools, hotels and offices
- Ideal for use with a variety of floorcoverings including carpet, carpet tile, vinyl, laminates and ceramics
- Easily formed on site without the need of heat application – no special equipment required

ON SITE CURVING	
Profile	Min. Radius mm
FXT21	400
FXR40 Convex	400
FXR40 Concave	900



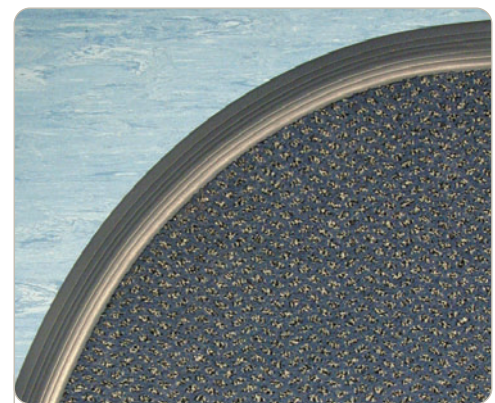
Typical Example: carpet tile to carpet

- Reduces requirement for pre-fabricated curves
- Choice of PVC-u or aluminium base:
  - PVC-u – pre-tagged to allow the formation of curves
  - Aluminium – for straight lengths
- PVC-u tops are easily replaceable if damaged or if refurbishment is being undertaken – no need to renew the base or disrupt the fitted floorcovering
- Tops and bases supplied separately in 2.5m lengths
- Suitable for use with a wide range of floorcoverings

*(as with all Clip-Top profiles, when using with carpet the compressed thickness of the carpet should always be a tight fit to the internal gauge of the combined top/base profile)*



Example: Twin Top - carpet to carpet



Example: Ramp Top - carpet to vinyl

## Colour Availability

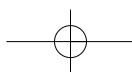
PVC-u TOPS

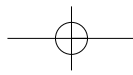
Black 	Bluebell 	Brown 
Dove 	Evergreen 	Granite 

Please note: Due to the limitations of the printing process, colours within this leaflet should not be relied upon for colour matching.

Clip-Top *fx*  
European Community Design No 7067-0001 - 7067-0010

See the main Spectrum Profiles catalogue for the full range of flooring transition strips



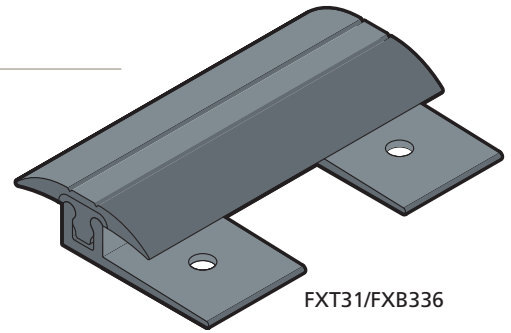


## Clip-Top *fx* - Twin Tops

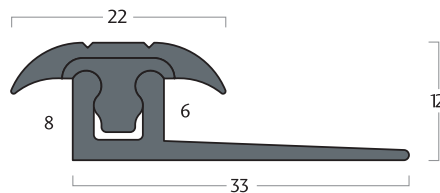
Provides a coordinating join and allows a safe transition between floorcoverings and other surfaces of the same level

**FXT21** shown with **FXB336** PVC-u base pre-tagged for forming curved areas on site.

**FXT21** top can be used with all PVC-u and aluminium bases shown below.



FXT21 / FXB336

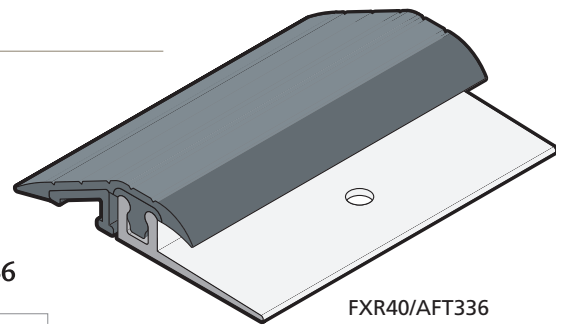


## Clip-Top *fx* - Ramp Top

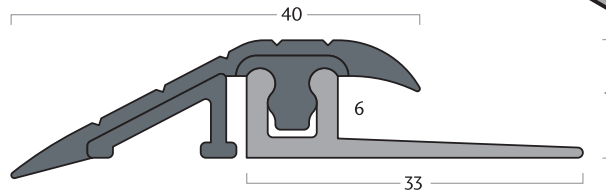
Protects the edge of floorcoverings and provides a safe transition to adjacent lower surfaces

**FXR40** shown with **AFT336** aluminium base for straights.

**FXR40** top is suitable for use with **FXB336** and **AFT336**.



FXR40 / AFT336



## Clip-Top *fx* - Bases

PVC-u bases supplied pre-tagged to form curves on site.

Aluminium bases for forming straights. Supplied pre-drilled.

